

SVB 4A/4ALF Series

Spill Resistant Pressure Vacuum Breaker

LEAD FREE



Proudly recommended by:
 Complete Irrigation Services, Inc.
 3 Industrial Drive
 Smithfield, RI 02917
 401-232-7400
www.CompleteIrrigation.net

DESCRIPTION

The Apollo® Series SVB 4A Spill Resistant Vacuum Breaker is designed to prevent contamination of the potable water supply due to back-siphonage. The SVB is ideally suited for continuous pressure, indoor applications where water spillage is undesirable. The device has a straight through flow path for minimal head loss. All components are easily accessible for easy repair and maintenance. All components are made of corrosion resistant materials for years of reliable service. Should be installed 12" above all downstream piping.

FEATURES

- Modular Captured Spring Check Valve
- Shut-Off Valves w/ Stainless Steel Handles and Nuts
- Threaded Testcock Protectors
- Designed For Easy Maintenance
- Lead-Free Option
- Low Head Loss
- 5 Year Warranty

PERFORMANCE RATING

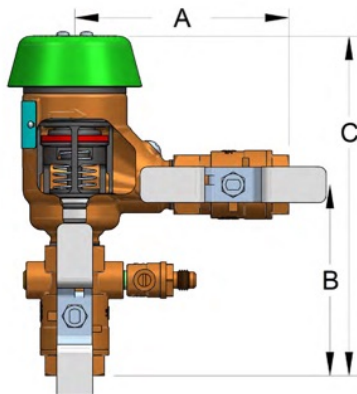
- Maximum Operating Pressure: 150 psi
- Temperature Range: 33 °F – 180 °F

APPROVALS

- ASSE 1056
- ASSE 1056-2011
- NSF/ANSI 372 Lead Free (4ALF only)

STANDARD MATERIALS LIST

BODY	Bronze C84400 or C89836 Lead Free*
BALL VALVES, TEST COCKS	Bronze C84400 or C87800 Lead Free*
CANOPY	UV-Resistant ABS
BONNET	Glass-Filled PPO
CHECK VALVE CARTRIDGE	Glass-Filled PPO
SPRINGS	Stainless Steel
SEAT DISCS	Chloramine-Resistant Silicone
FLOAT	Glass-Filled PPO
O-RINGS	Chloramine-Resistant EPDM



This device is required to be installed in the upright position shown and at a minimum of 12" above the highest sprinkler head or outlet, otherwise a Reduced Pressure Vacuum Breaker (RPVB or RPZ) device shall be required.

DIMENSIONS

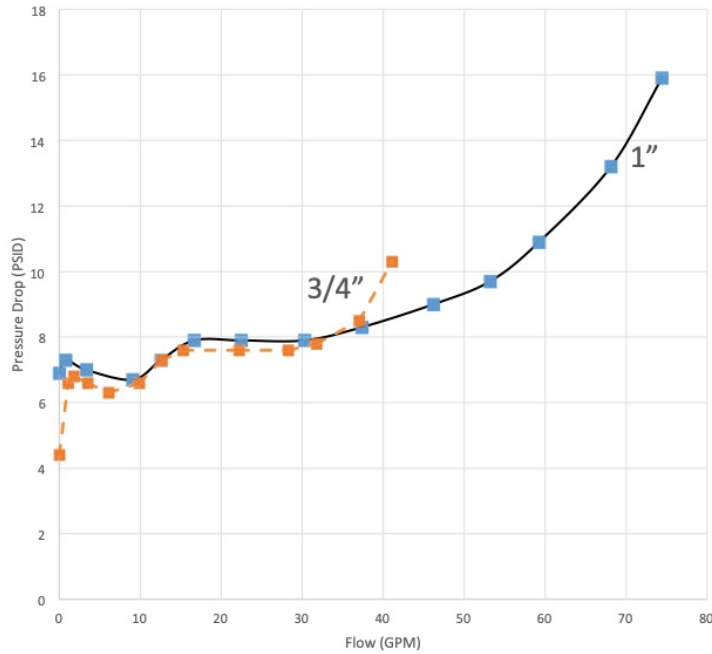
PART NO.	LEAD FREE PART NO.	MODEL NO.	LEAD FREE MODEL NO.	DIMENSIONS (IN.) (MM)			WEIGHT		
				SIZE	A	B	C	LB.	KG.
4A-904-A2F	4ALF-904-A2F	SVB4A34	SVBLF4A34	3/4" (20)	4-1/2 (121)	4 (105)	7-1/4 (194)	3.0	1.4
4A-905-A2F	4ALF-905-A2F	SVB4A1	SVBLF4A1	1" (25)	5-3/8 (135)	4-3/8 (111)			

PART NUMBER MATRIX

4A [XX]	90 X	XX	X
	SIZE	SHUT-OFF VALVES	
4A - NON-LEAD FREE	4 - 3/4"	A2 - W/BALL VALVES (STANDARD)	F - SAE THREADED TEST COCKS (STANDARD)
4ALF - LEAD FREE*	5 - 1"	A4 - W/UNION END BALL VALVES	LL - LOCKING LEVER HANDLES

*LEAD FREE: The wetted surfaces of this product shall contain no more than 0.25% lead by weighted average. Complies with Federal Public Law 111-380. ANSI 3rd party approved and listed.

FLOW CURVE



- Meter Rated Flow as determined by approval agencies, 7.5 ft/sec is the typical maximum Plumbing system flow rate.

Curves developed from independent approval agencies actual tests - Consult factory for details.